

Rotary Isolator Datasheet

3 pole and 4 pole, AC, Rotary Isolators



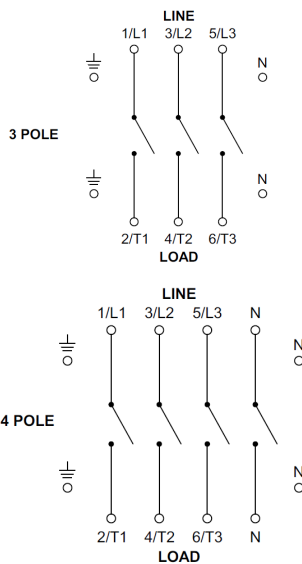
CONSTRUCTION AND FEATURES:

- Enclosed rotary isolators
- Constructed from tough flame retardant material
- Suitable for internal and external applications
- Several gland knock outs
- Pad-lockable rotary handle
- Lid not removeable with switch in ON position

TECHNICAL DATA:

- AC-21A: 20-100A, 440V
- AC-22A,: 20-100A, 440V
- Operating cycle durability: 5E4 (50,000 cycles)
- Operating temperature: -10 to +85°C
- IP rating: IP65
- Rated conditional short circuit current: 6KA

WIRING DIAGRAM:



DIMENSIONAL INFORMATION:

Pt No	No of poles	Current Rating (A)	DIMENSIONS (mm)			
			A	B	C	D
GR320	3	20	100	125	85	35
GR325	3	25	100	125	85	35
GR332	3	32	100	175	85	35
GR340	3	40	114	175	100	35
GR363	3	63	114	175	100	35
GR3100	3	100	160	240	100	35
GR420	4	20	100	125	85	35
GR425	4	25	100	125	85	35
GR432	4	32	100	175	85	35
GR440	4	40	114	175	100	35
GR463	4	63	114	175	100	35
GR480	4	80	160	240	100	35
GR4100	4	100	160	240	100	35

