

Modular Timer Datasheet

MODST18 — Staircase Timer Switch



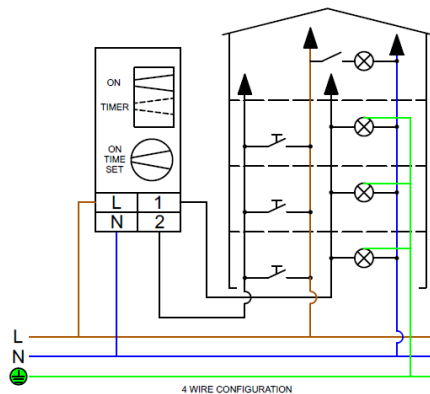
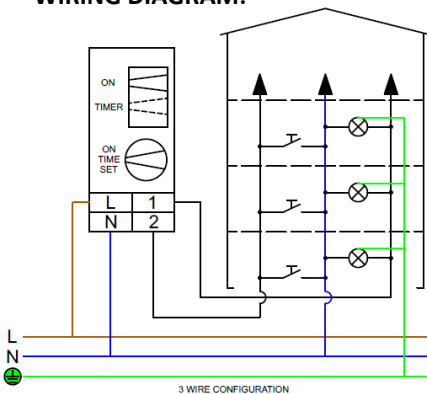
CONSTRUCTION AND FEATURES:

- Suitable for most lighting types
- Time delay switching
- Ideal control for stair lighting in communal areas
- Simple time setting: 30 seconds -> 20 minutes

TECHNICAL DATA:

- Voltage rating: 220 — 240 V AC
- Frequency rating: 50/60Hz
- Consumption: 1W
- Contact capacity:
 - Resistive loads: 16A
 - Inductive loads: 10A
- Electrical endurance: 100,000 cycles
- Mechanical endurance: 10,000,000 cycles
- Ambient temperature: -20°C to 50°C
- Connection: screw clamp terminal
- Connection capacity: rigid conductor 6mm²
- Installation: DIN rail

WIRING DIAGRAM:



DIMENSIONAL SKETCH:

